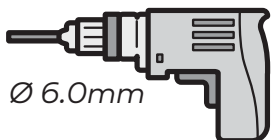
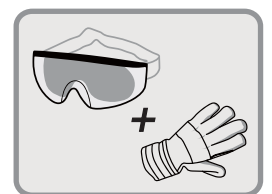
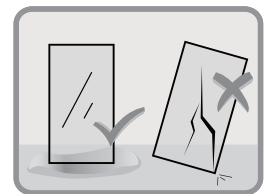
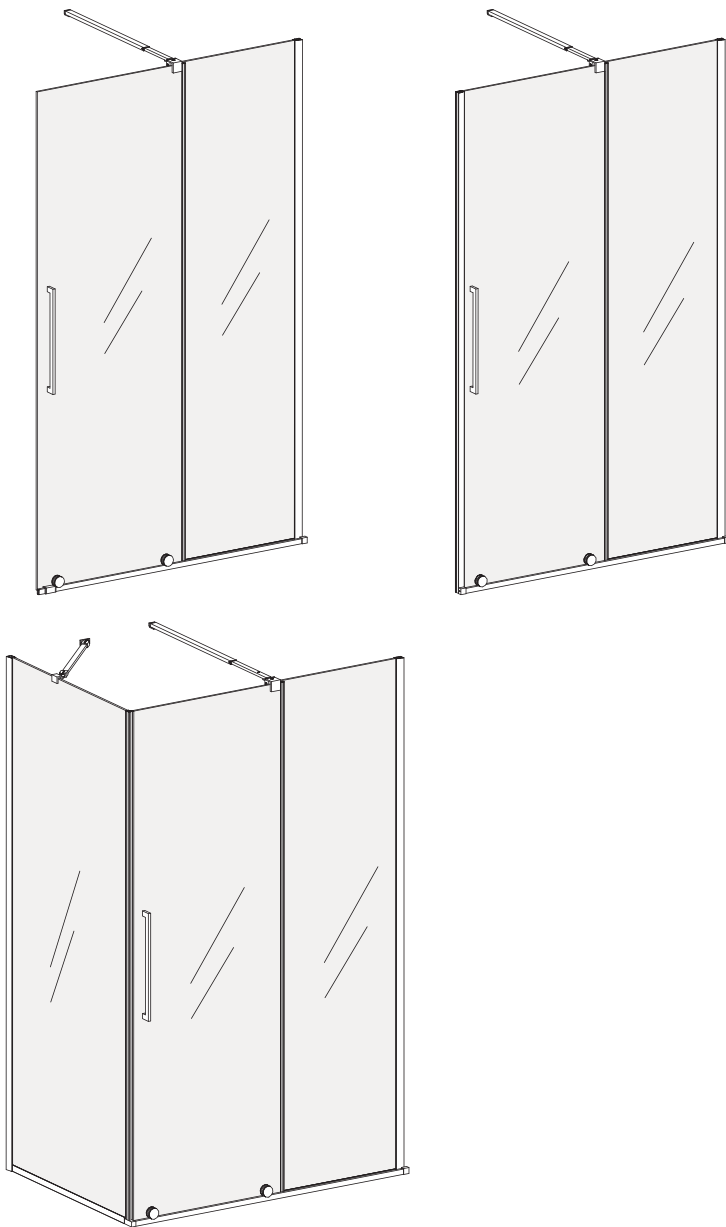
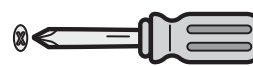
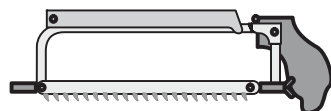


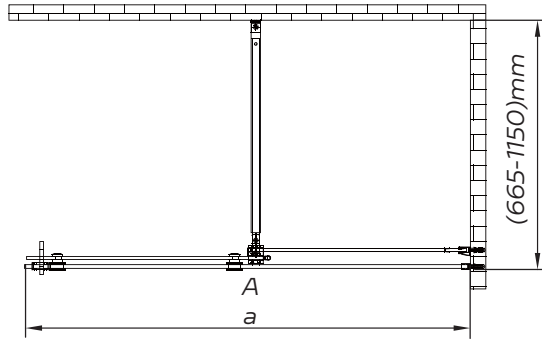
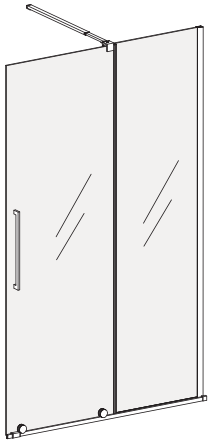
# Radnor



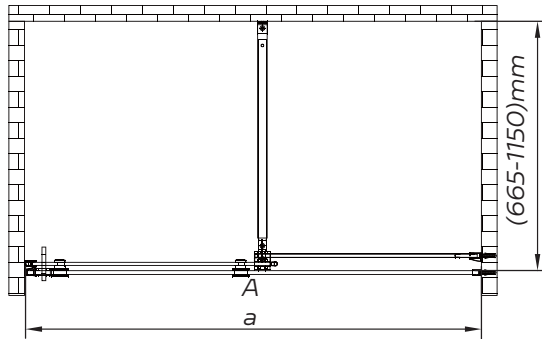
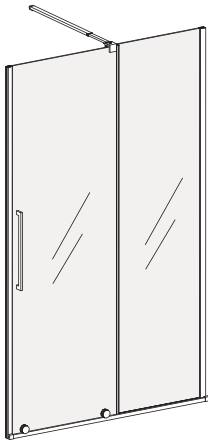
Ø 6.0mm



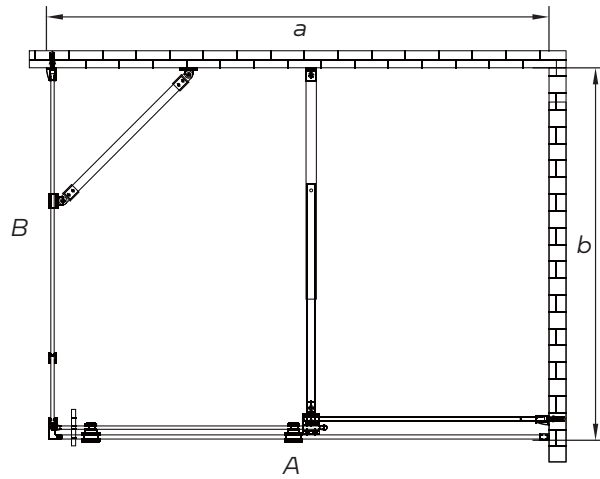
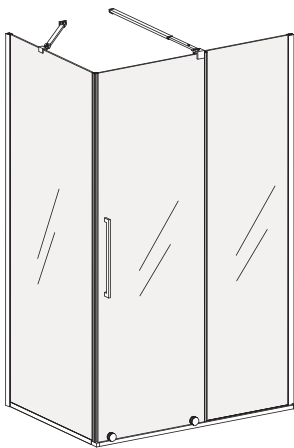
SILICONE



Model (A)	a (mm)
1200	1095-1195
1400	1195-1395
1600	1395-1595
1800	1595-1795

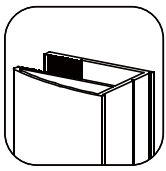


Model (A)	a (mm)
1200	1100-1200
1400	1200-1400
1600	1400-1600
1800	1600-1800



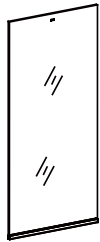
Model (A)	Model (B)	a (mm)	b (mm)
1200	/	1115-1215	/
1400	850	1215-1415	900
1600	950	1415-1615	1000
1800	1100	1615-1815	1150

a



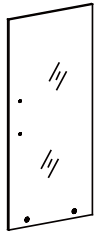
X2

b



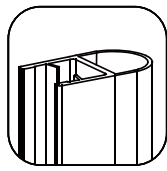
X1

c



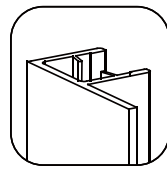
X1

d



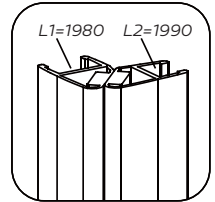
X2

e



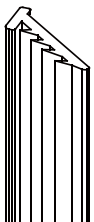
X1

f



X1

g



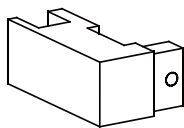
X2

h



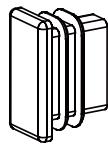
X2

i



X1

j

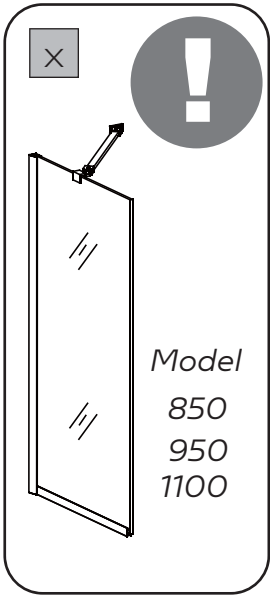


X1

k



X1



l



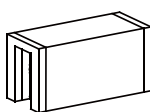
X1

m



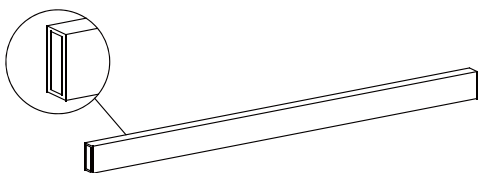
X2

n



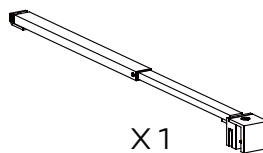
X1

o



X1

p



X1

q



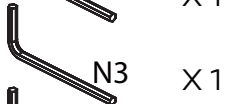
N2.5 X1

r



N4 X1

s



N3 X1

t



N2 X1

u



ST4x45mm

X1

v



ST4x35mm

X9

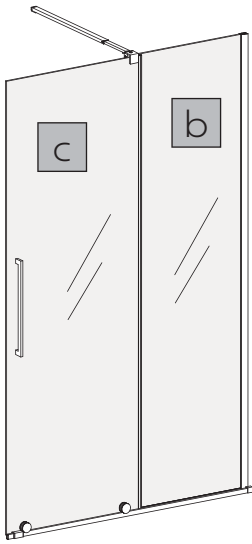
w



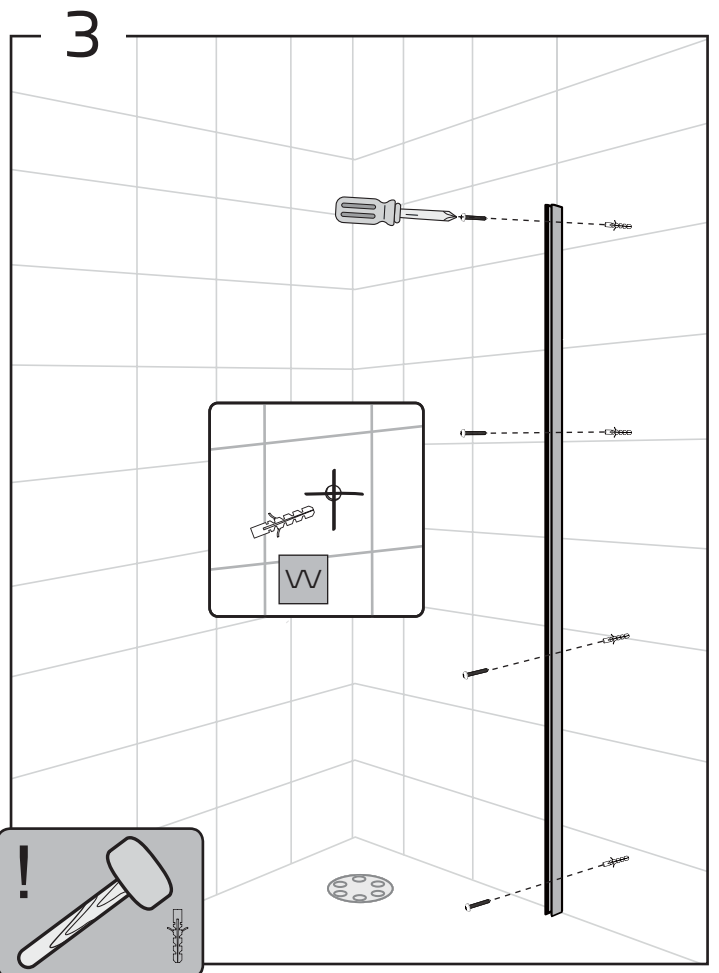
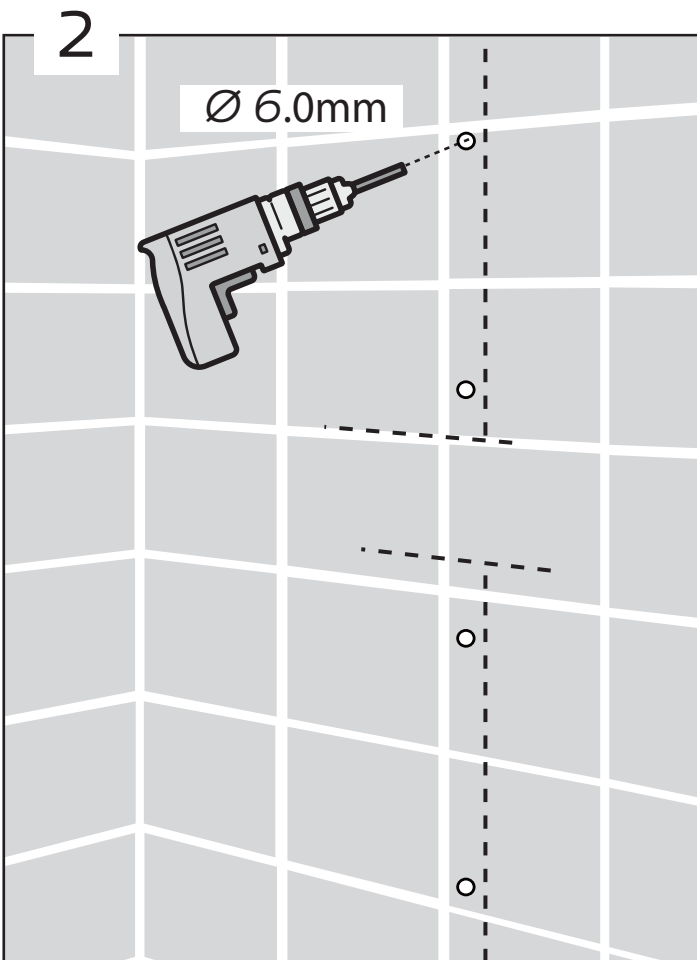
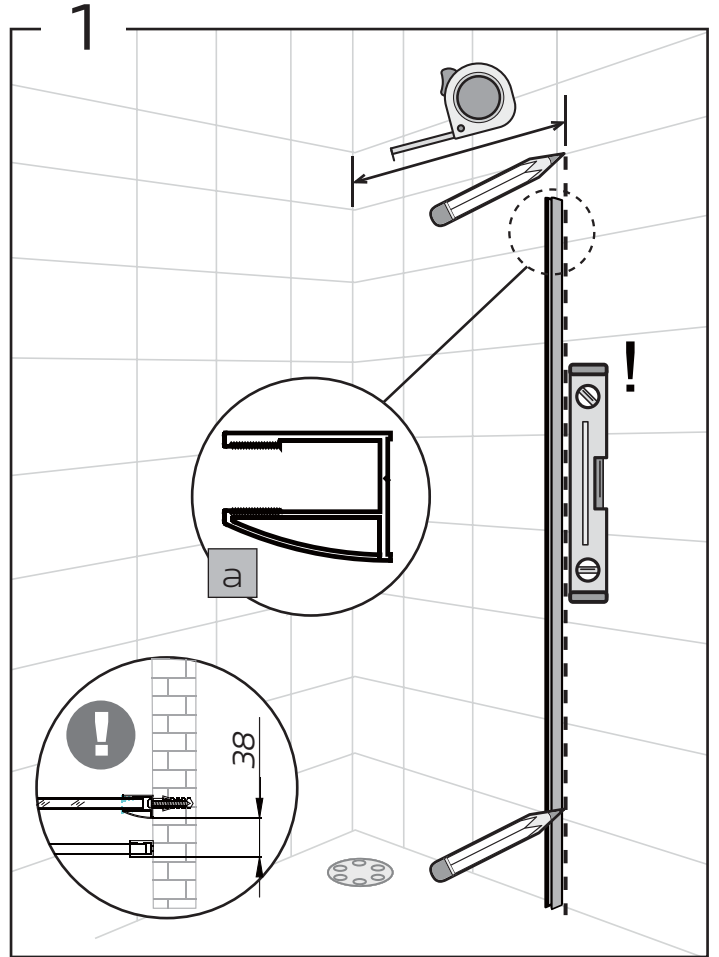
X10

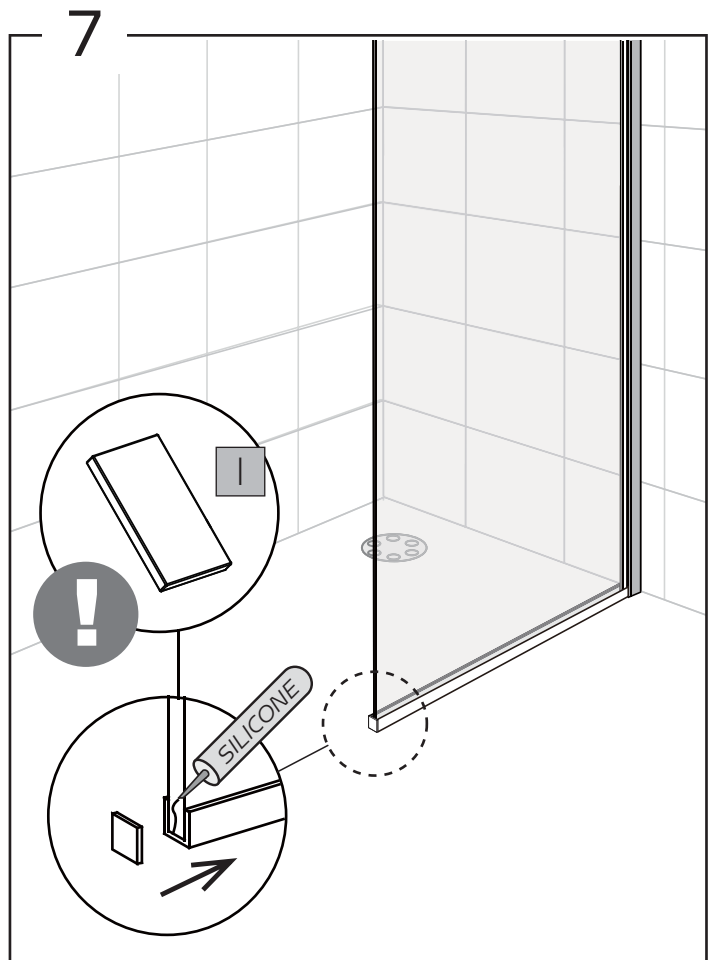
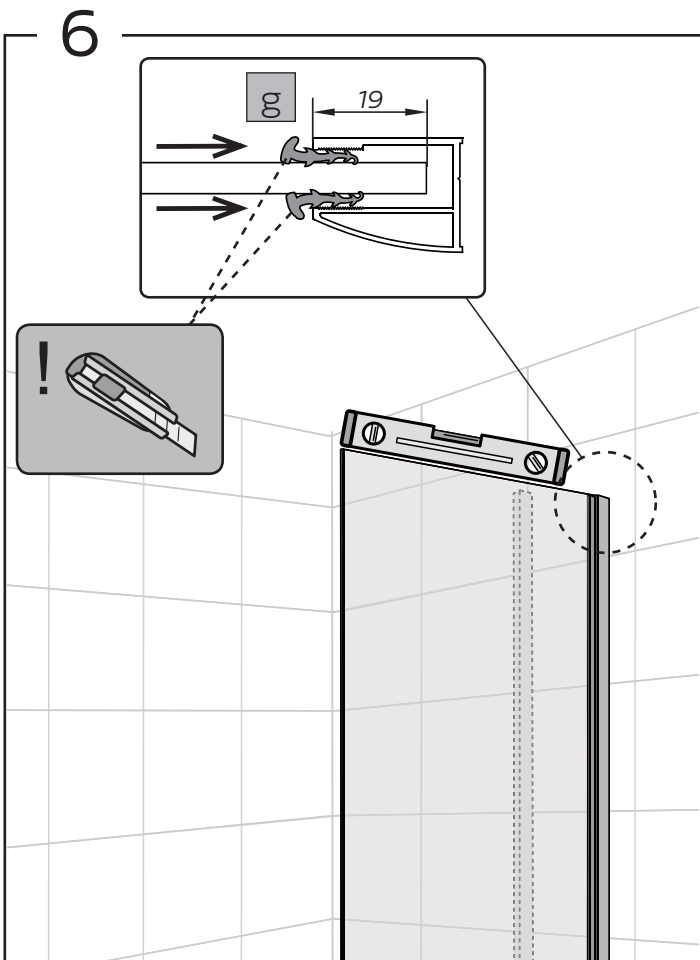
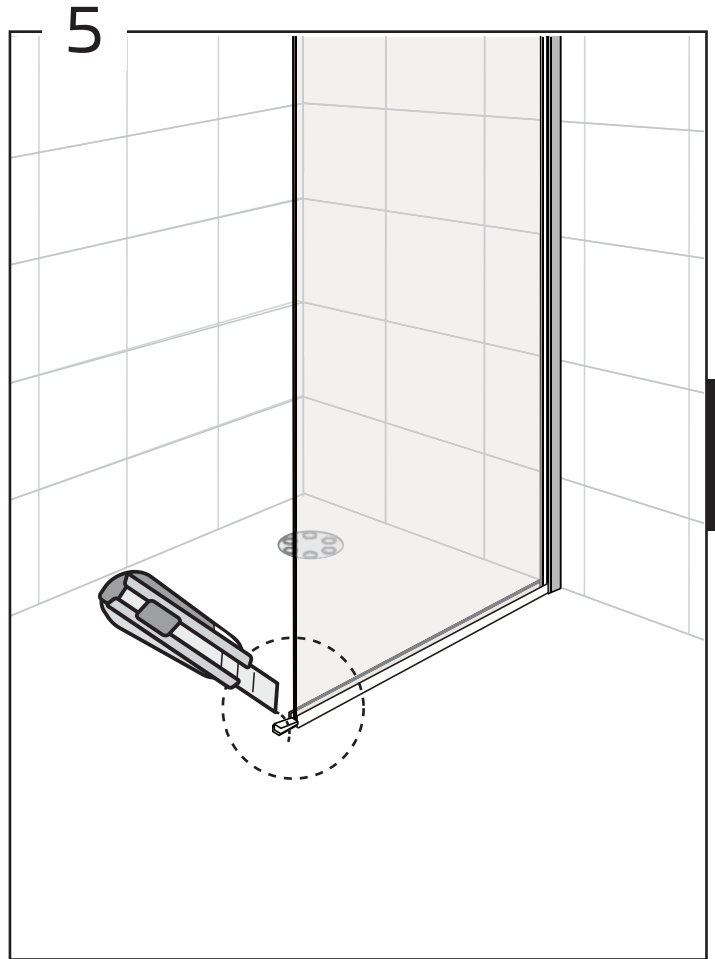
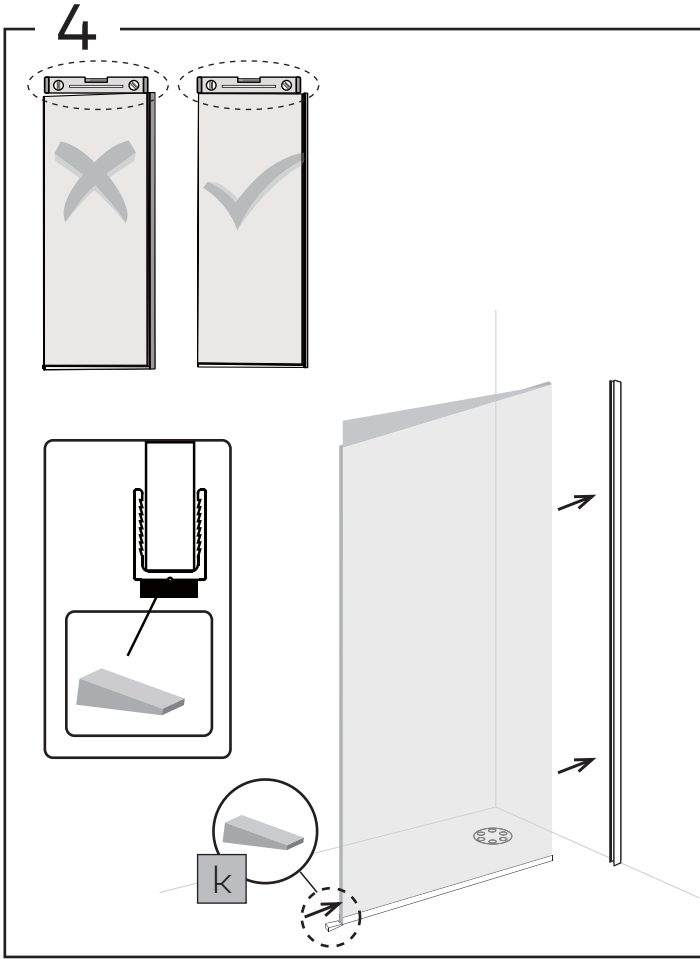


STP.1-16

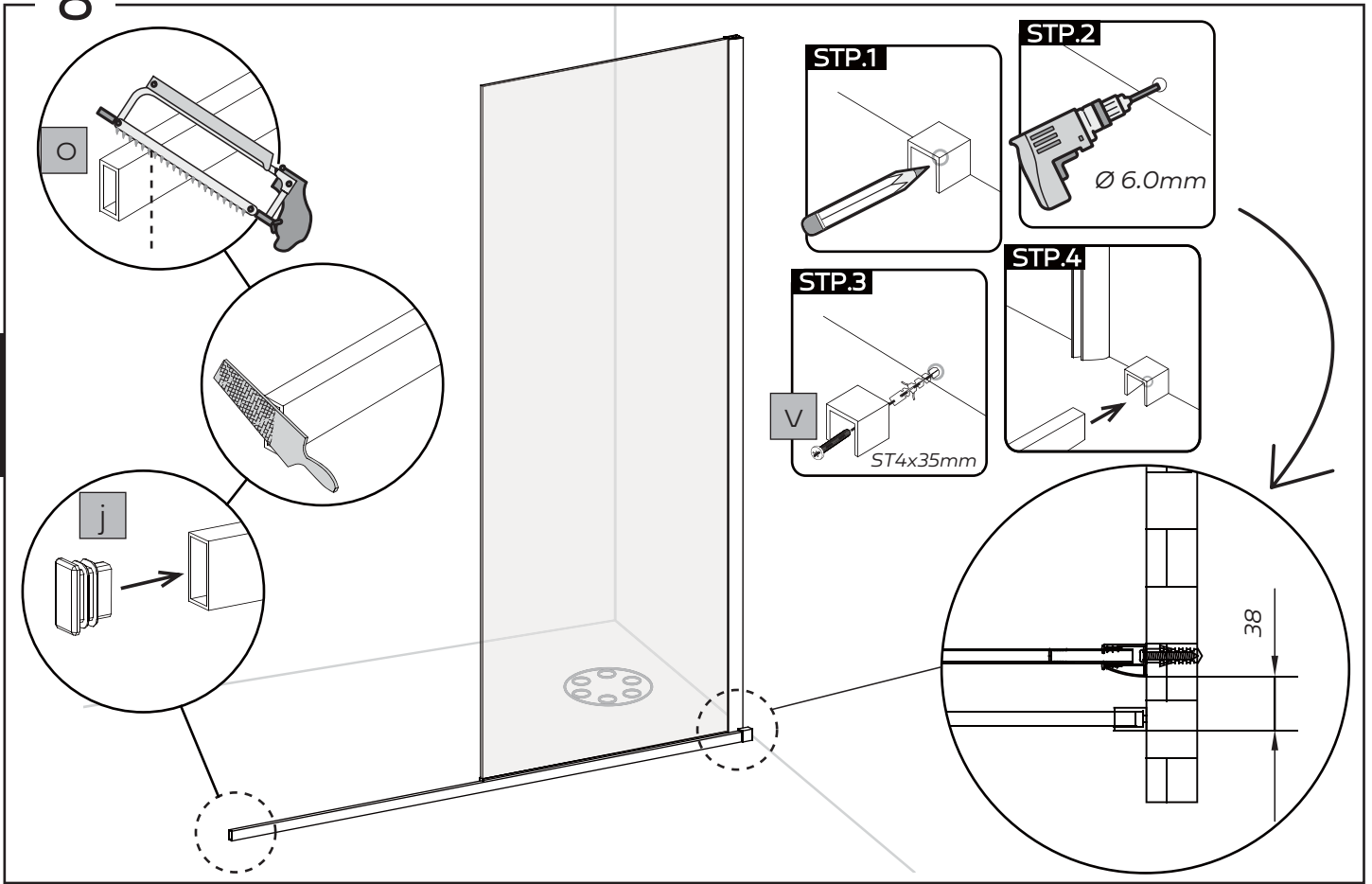


04(12)

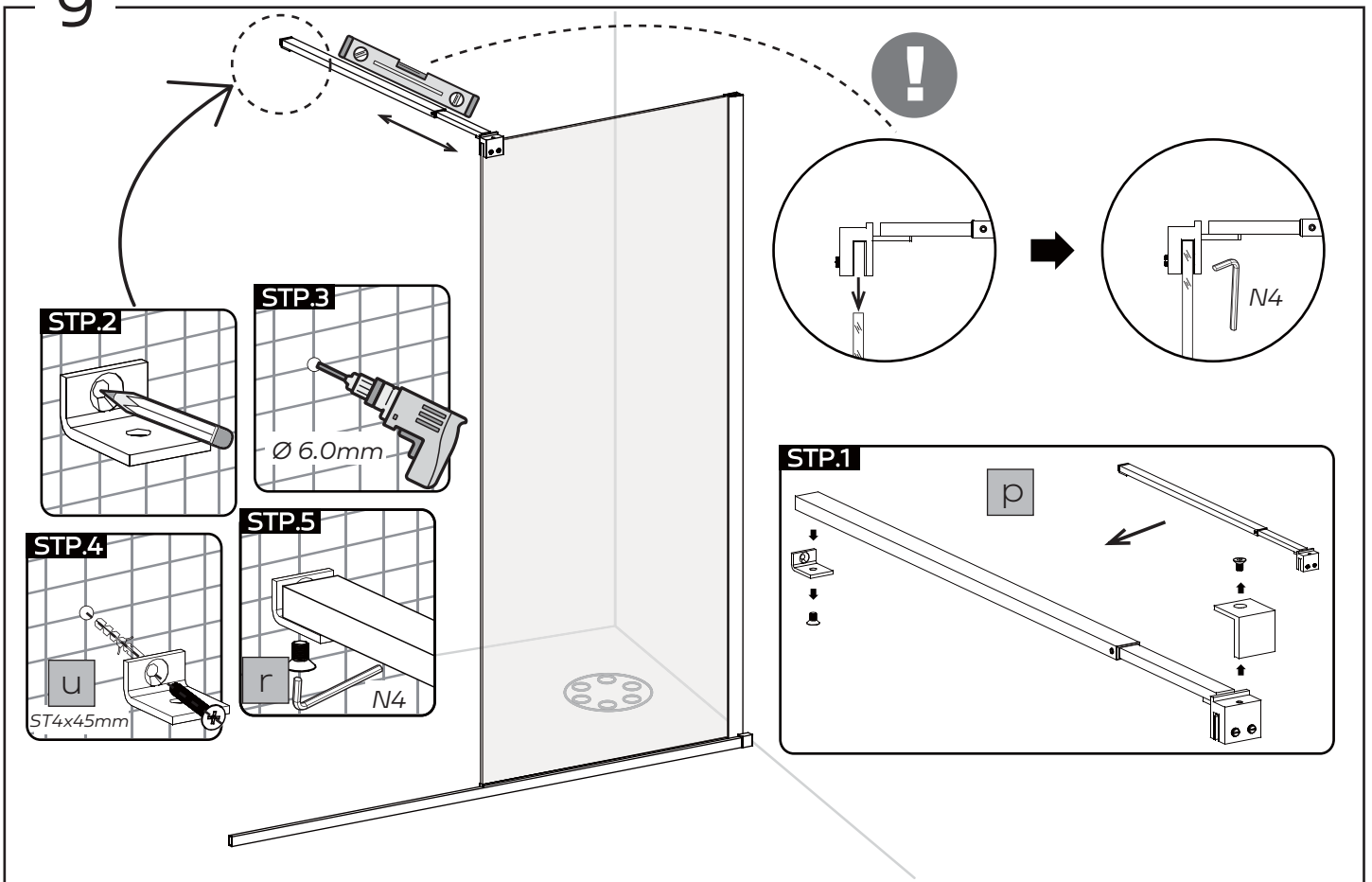




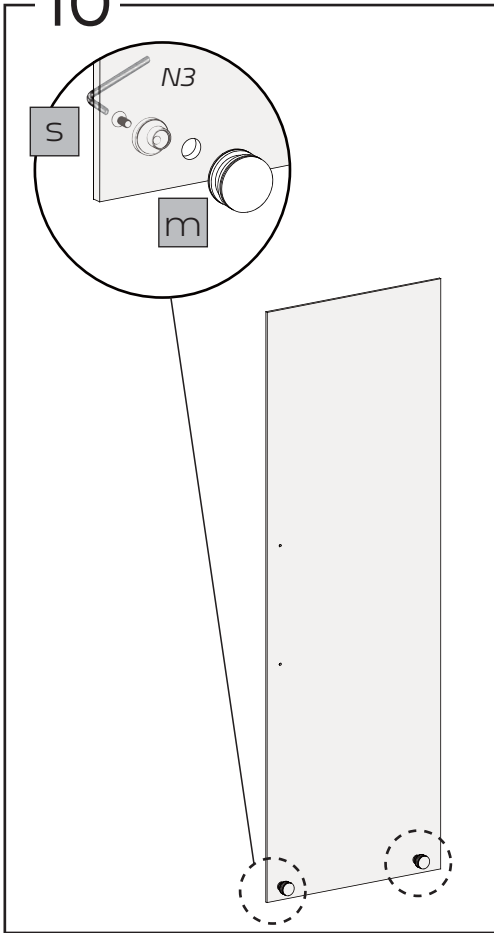
# 8



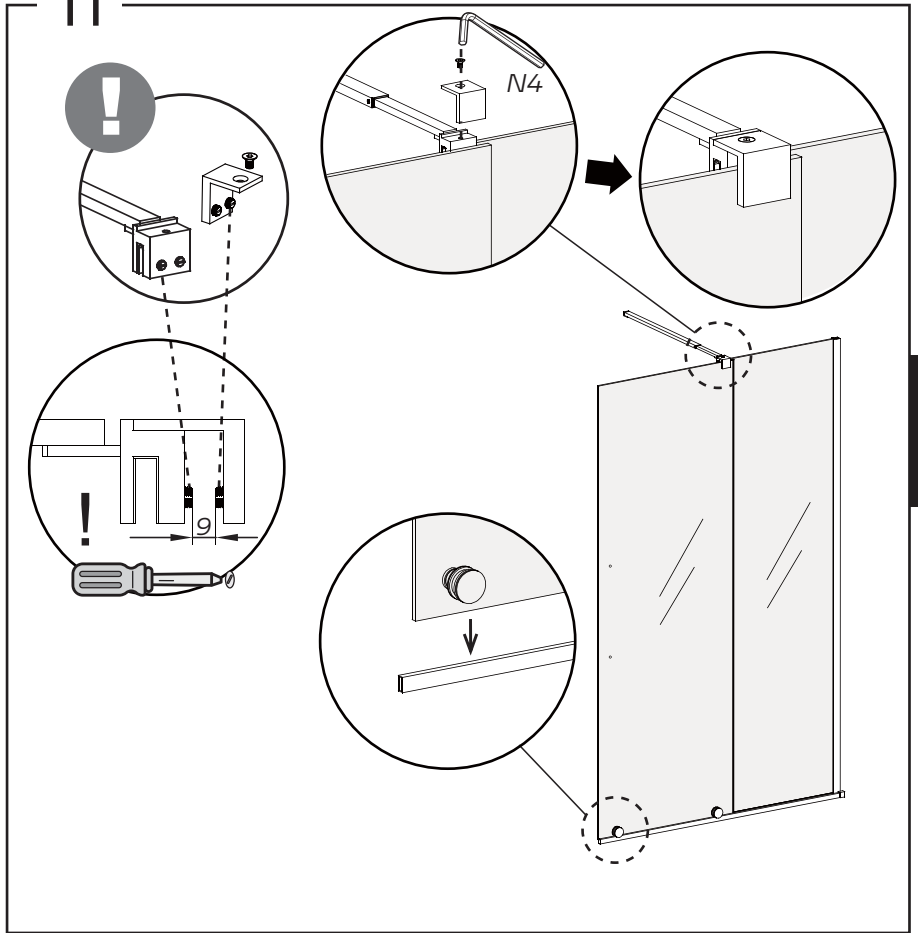
# 9



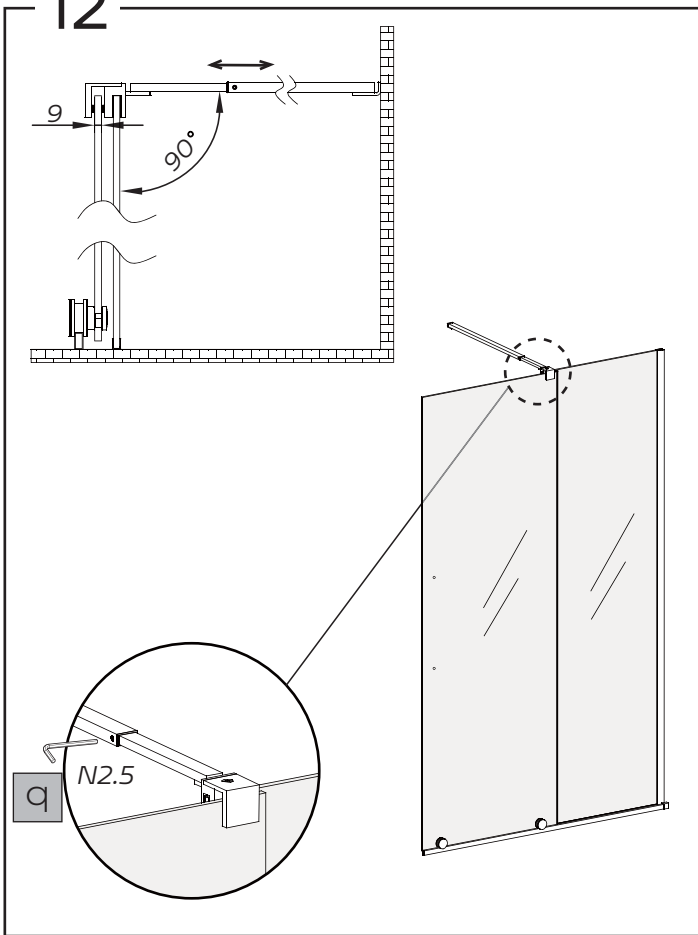
10



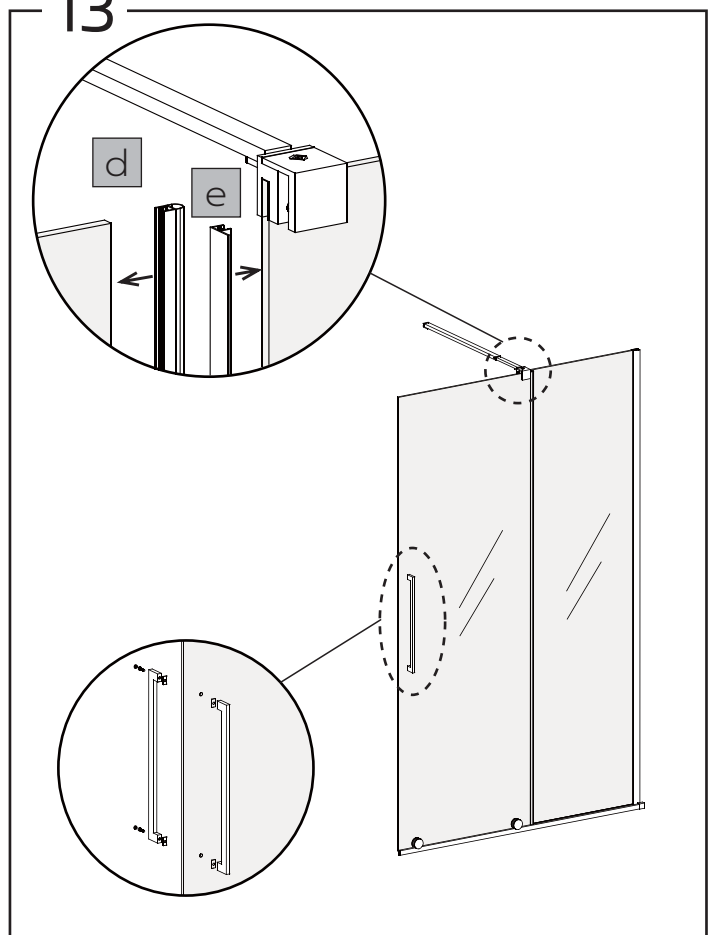
11



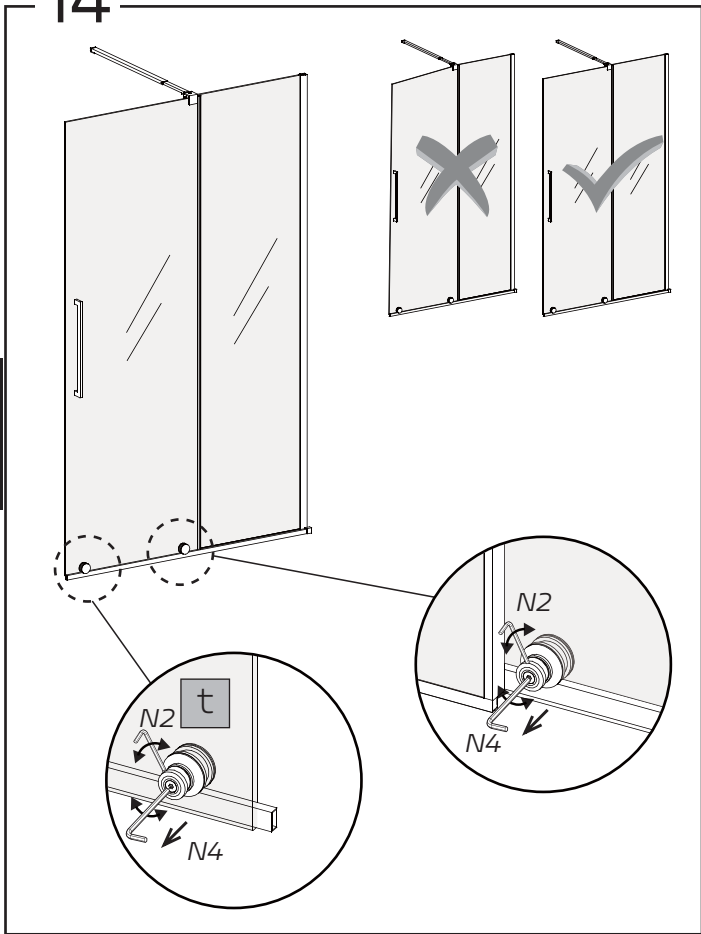
12



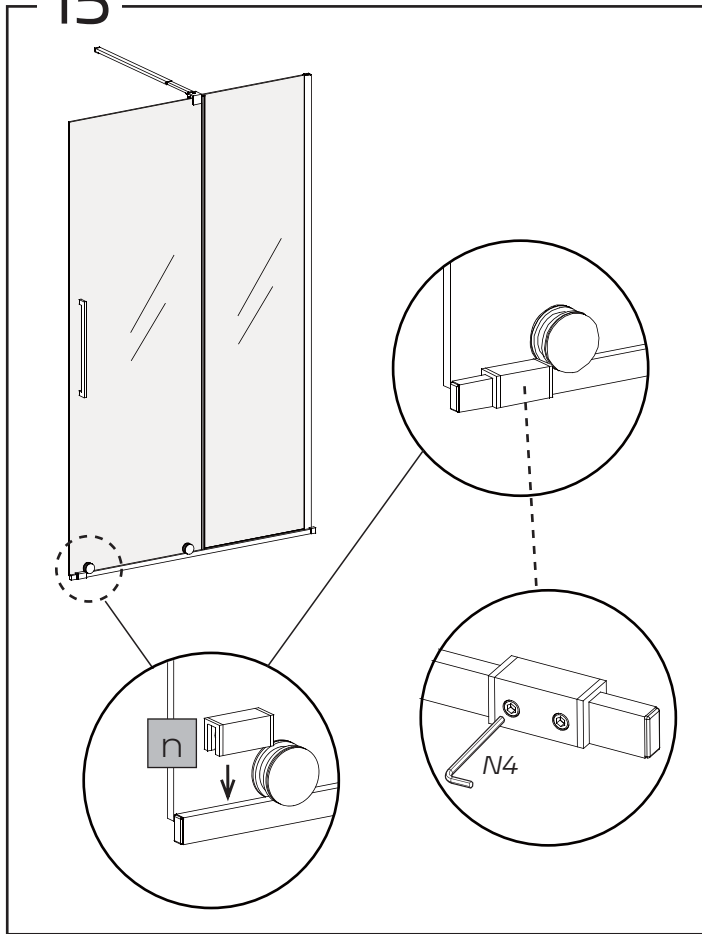
13



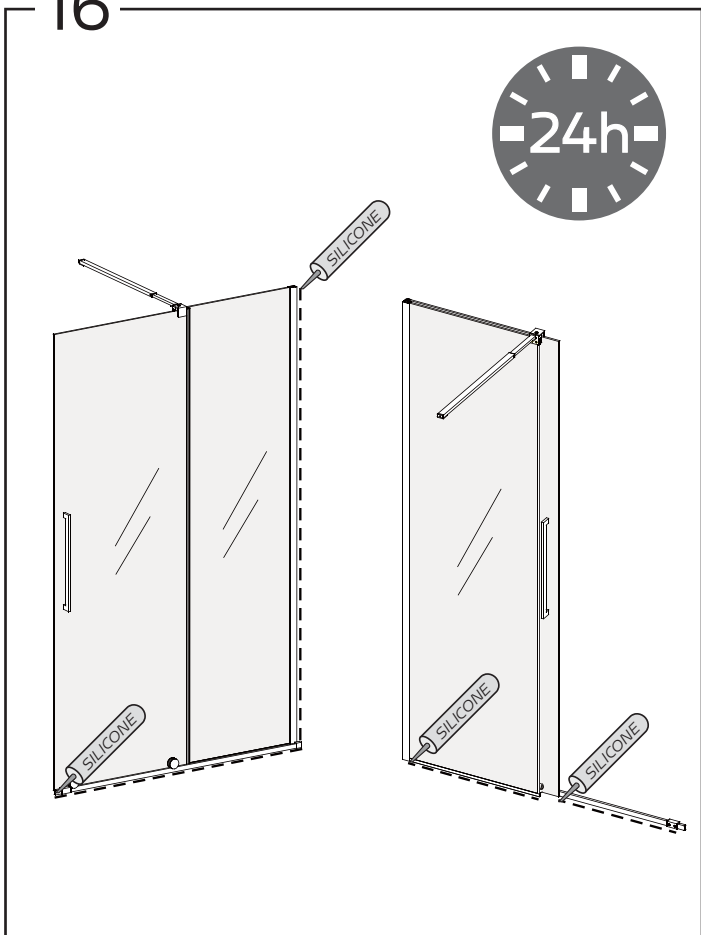
14



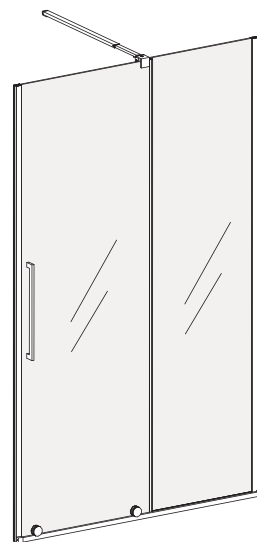
15



16

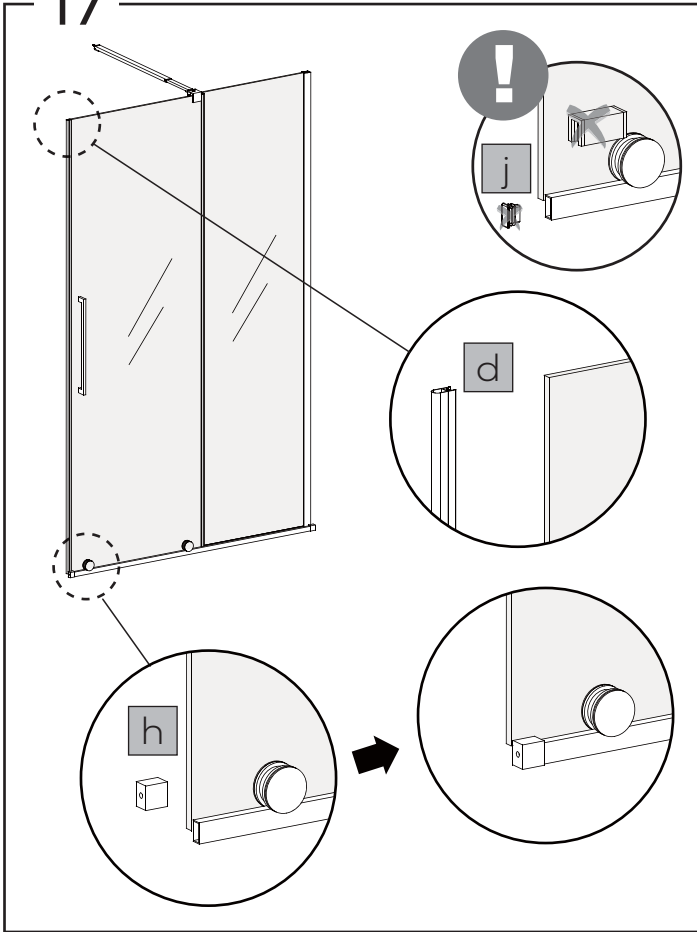


STP.1-22

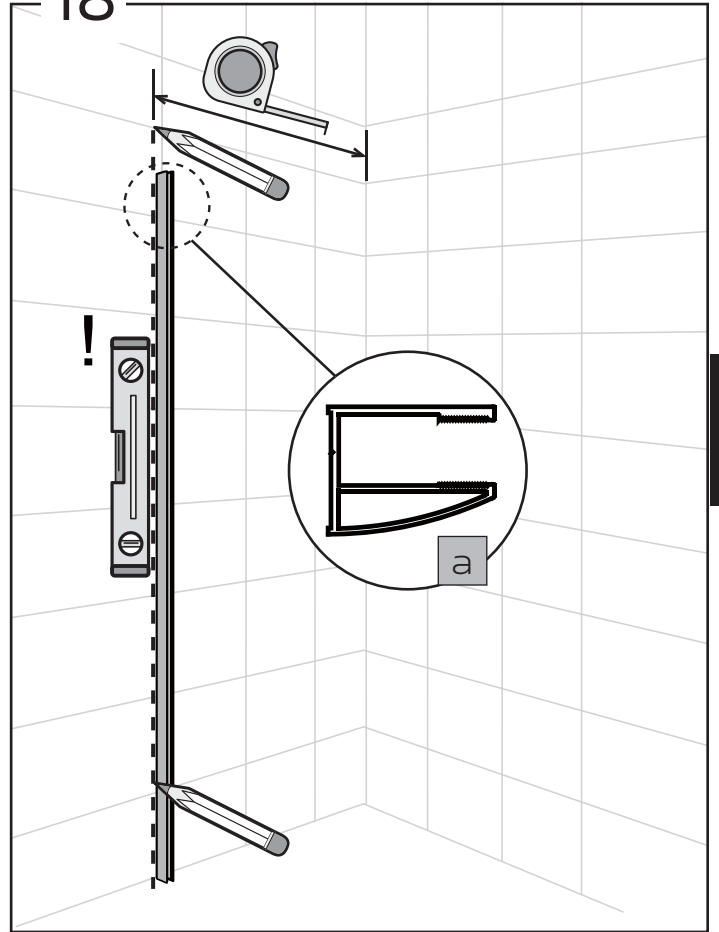




17

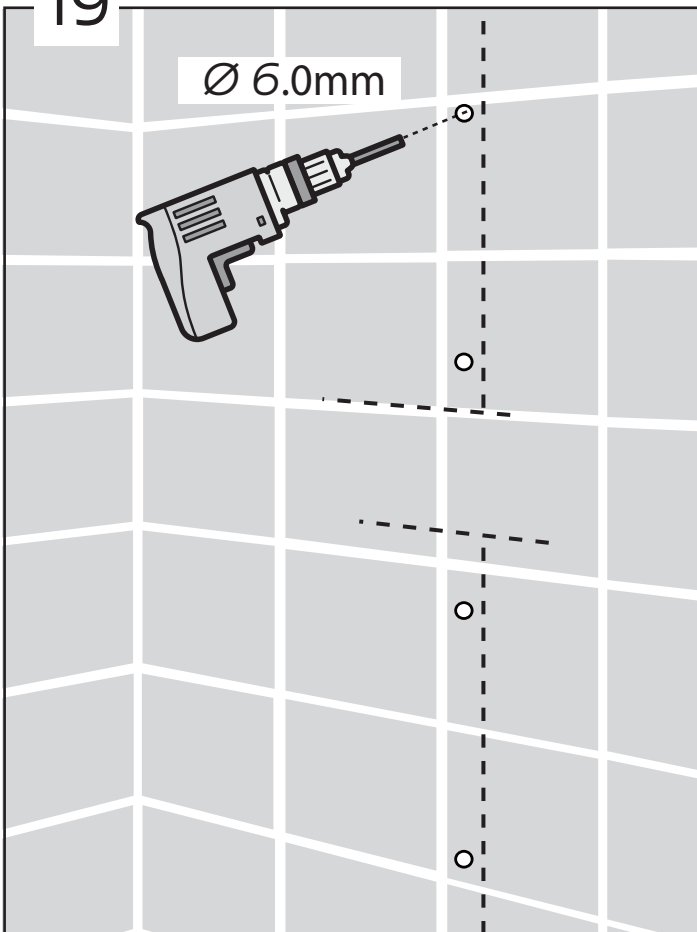


18

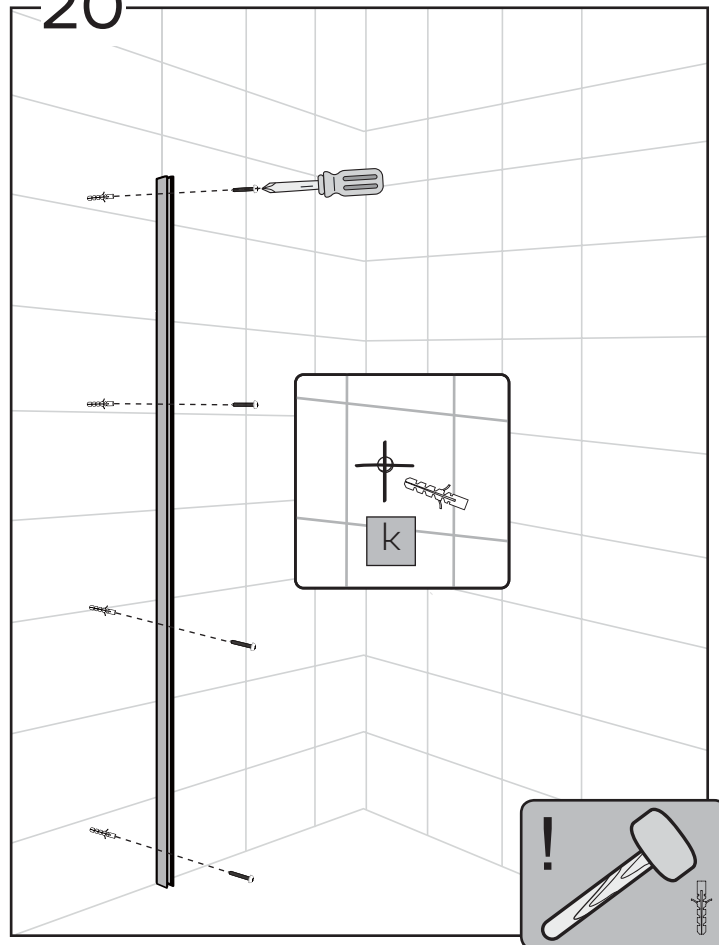


09(12)

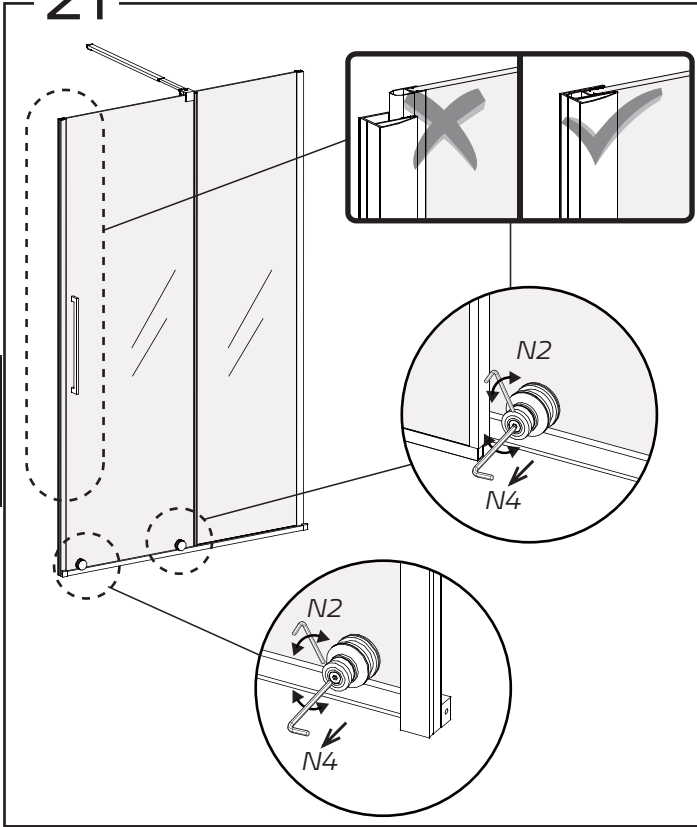
19



20

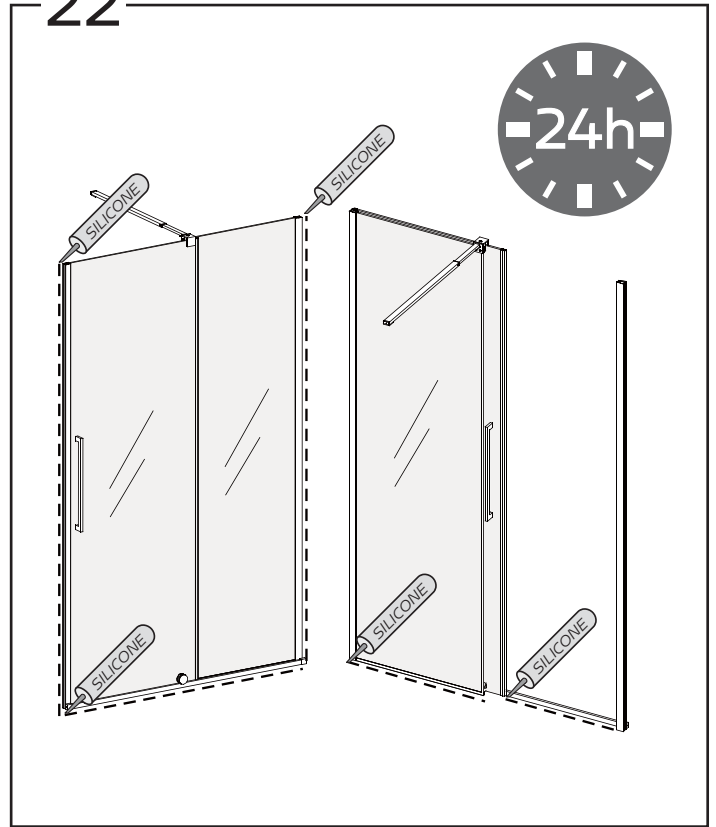


21

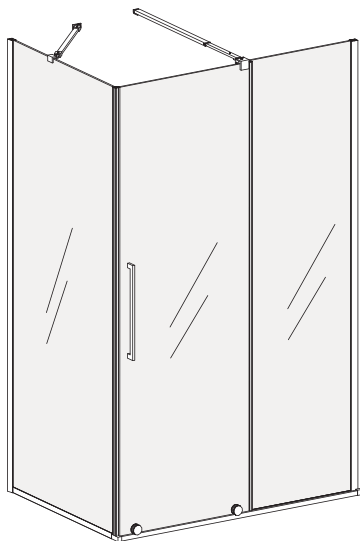


10(12)

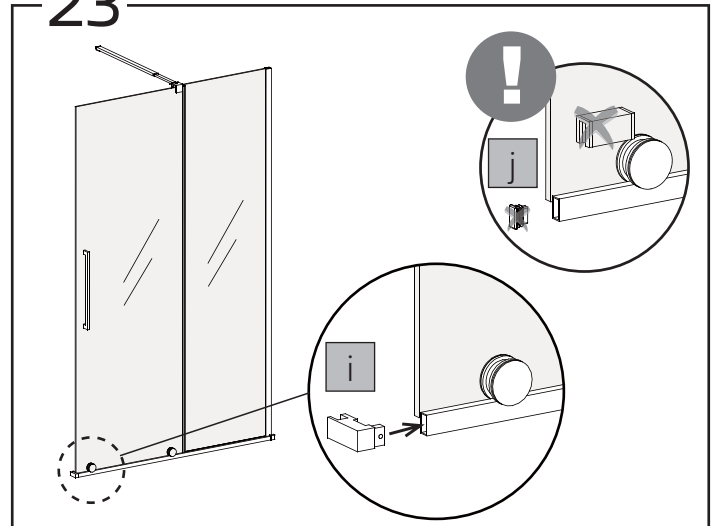
22



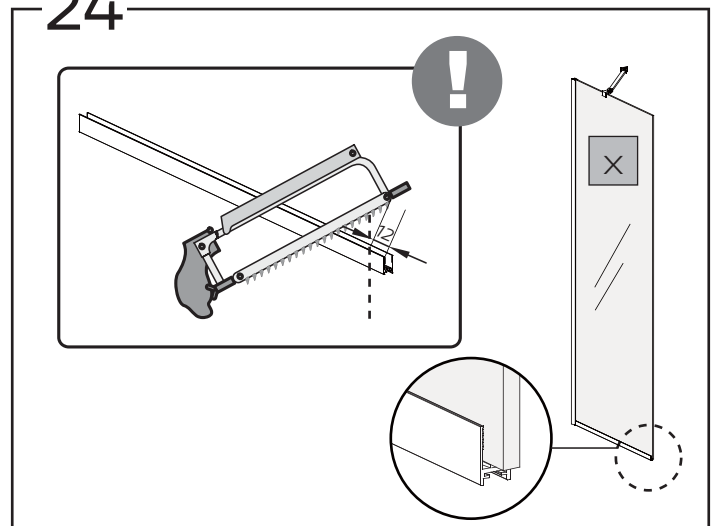
STP.1-29



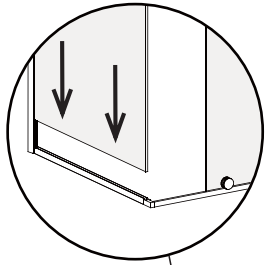
23



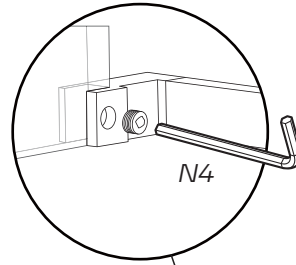
24



25

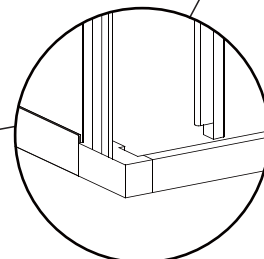
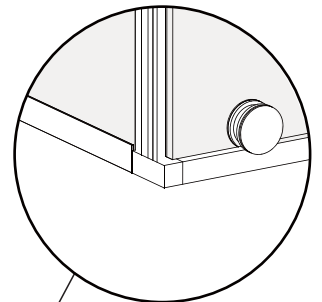
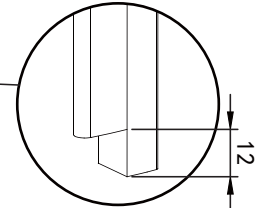
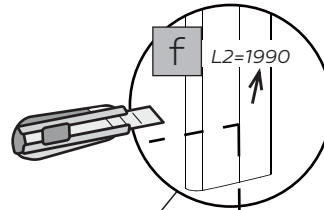
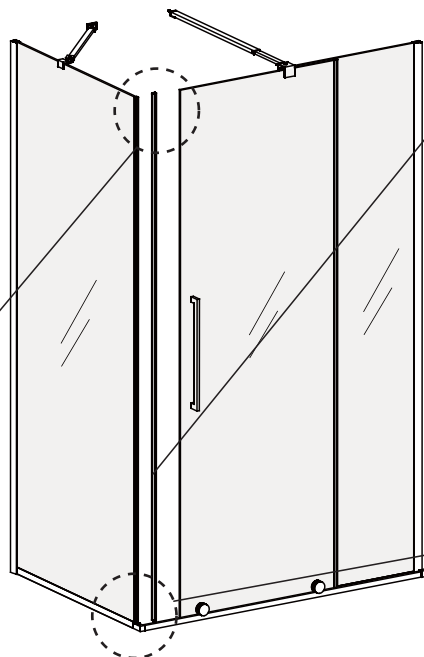
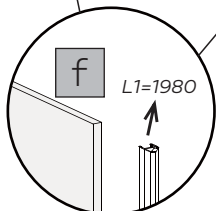
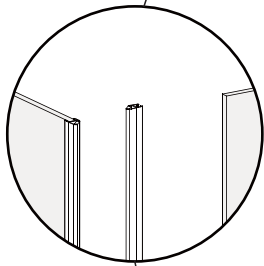
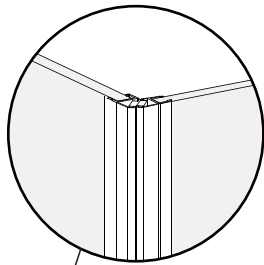


26



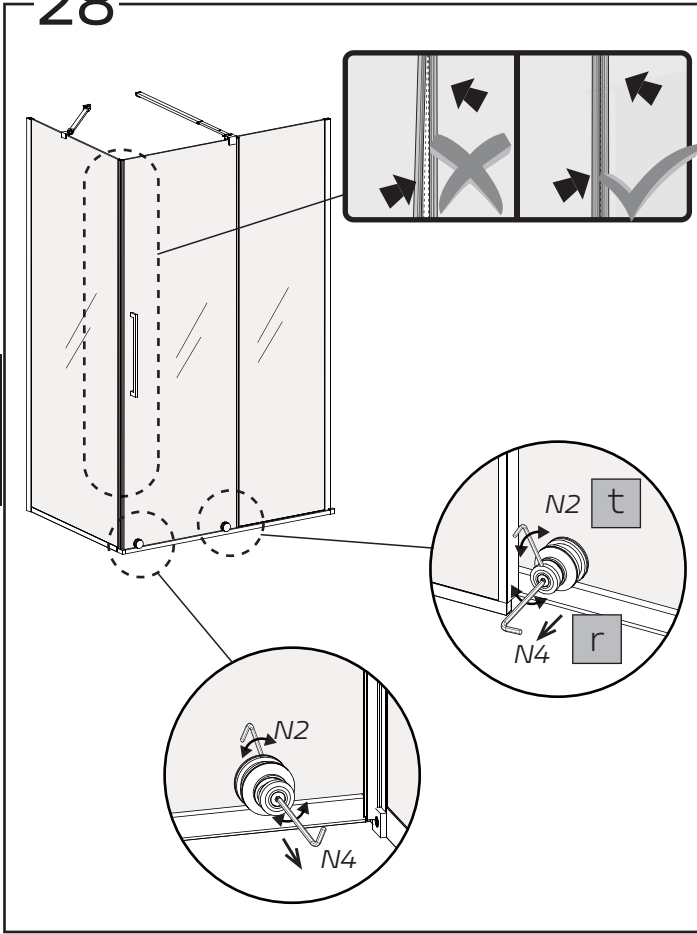
71(12)

27

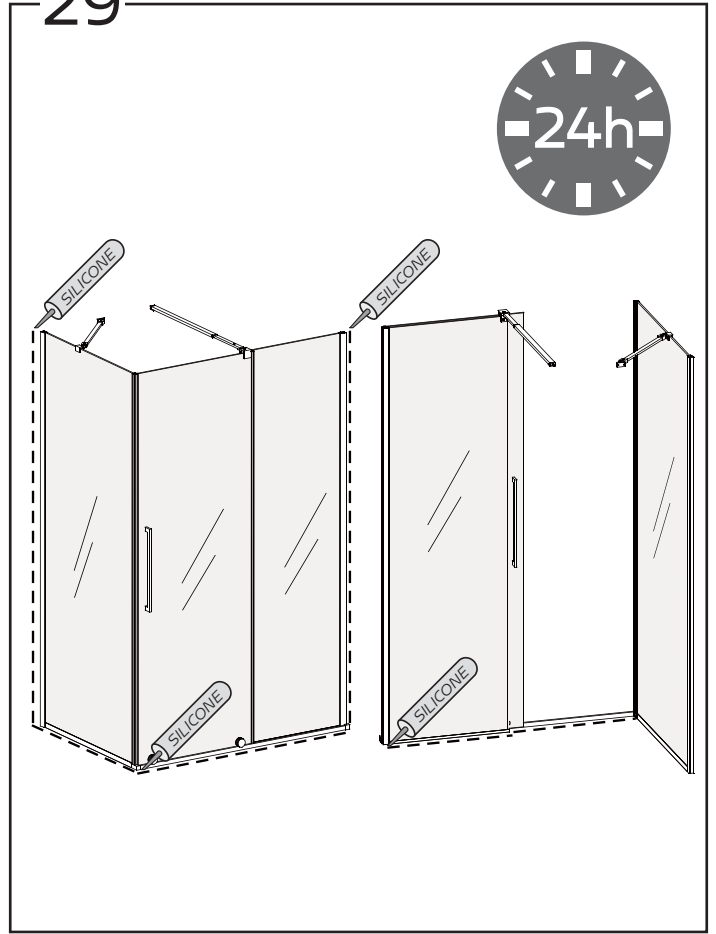


28

12(12)



29



[www.badnor.no](http://www.badnor.no)